

The logo for ASG, consisting of the lowercase letters 'asg' in a bold, sans-serif font, positioned within a white rounded rectangular box.

Fabrications
Stainless concepts
Galvanised components
Installations

Staircases & Walkway Solutions

- > Treads & Flooring
 - > Shearing & Folding
 - > Balustrading
 - > Safety Gates
 - > Ladders
 - > Spirals
-

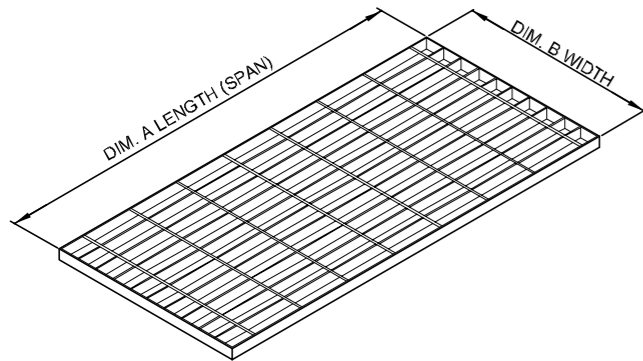
www.asgfabrications.com

Fabricated Open Steel Flooring



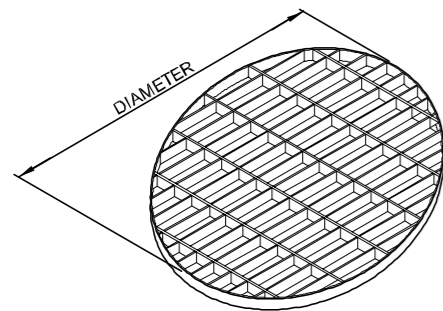
Please tick appropriate boxes and fill in relevant dimensional information

Rectangular Panel



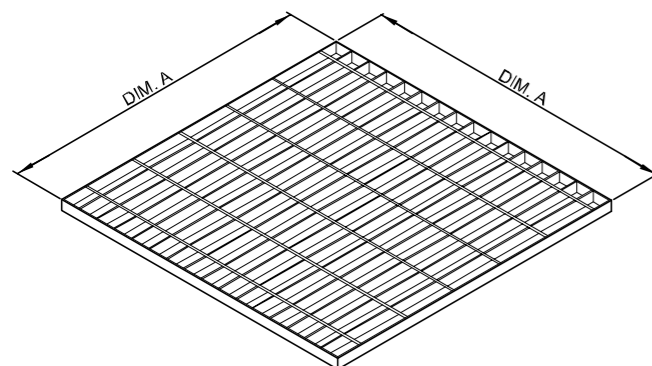
Load Bearing Bar (eg 25 x 3 mm)	_____mm	
Bearing Bar / Cross Bar Arrangement (eg 41 / 100 mm)	_____mm	
Finish		
<input type="checkbox"/> Self Colour	<input type="checkbox"/> Galvanised	
<input type="checkbox"/> Zinc Phosphate Primer	<input type="checkbox"/> Stainless Steel	
No. Required	Length (Dim A)	Width (Dim B)

Circular Panel



Load Bearing Bar (eg 25 x 3 mm)	_____mm	
Bearing Bar / Cross Bar Arrangement (eg 41 / 100 mm)	_____mm	
Finish		
<input type="checkbox"/> Self Colour	<input type="checkbox"/> Galvanised	
<input type="checkbox"/> Zinc Phosphate Primer	<input type="checkbox"/> Stainless Steel	
No. Required	Length (Dim A)	Width (Dim B)

Square Panel



Load Bearing Bar (eg 25 x 3 mm)	_____mm	
Bearing Bar / Cross Bar Arrangement (eg 41 / 100 mm)	_____mm	
Finish		
<input type="checkbox"/> Self Colour	<input type="checkbox"/> Galvanised	
<input type="checkbox"/> Zinc Phosphate Primer	<input type="checkbox"/> Stainless Steel	
No. Required	Length (Dim A)	Width (Dim B)

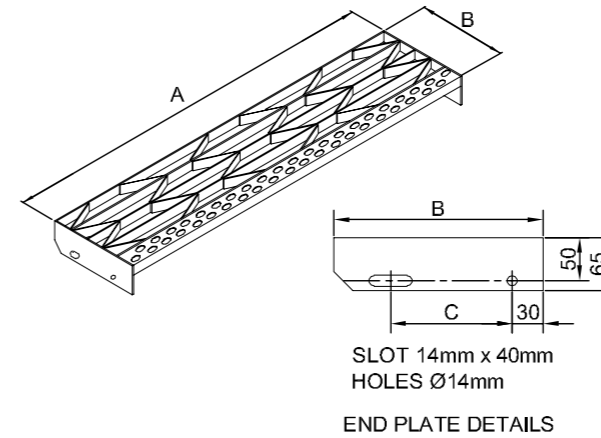
If you don't see what you require please call 01924 470 377 or email info@asgfabrications.com

Open Steel Stair Treads



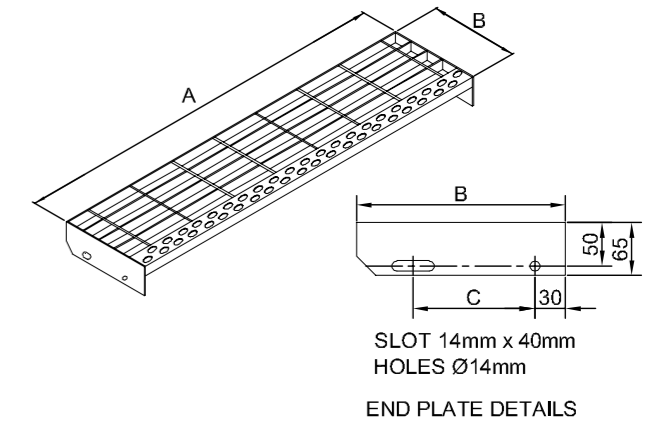
Please tick appropriate boxes and fill in relevant dimensional information

Diamond Tread



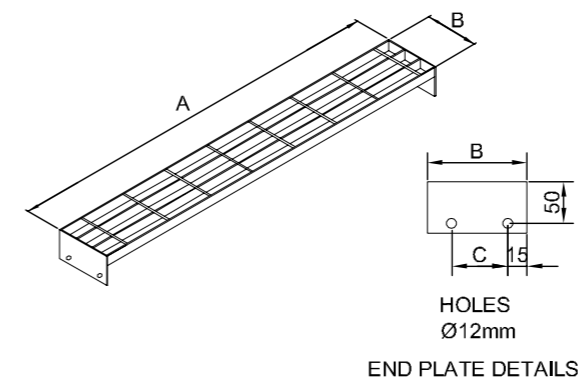
Nosing Bar Type	
<input type="checkbox"/> Octopus	<input type="checkbox"/> Dimple
<input type="checkbox"/> Other _____	
NB BEARING BAR / CROSS BAR ARRANGMENT IS 41 / 178 MM ON DIAMOND PATTERN	

Open Tread



Nosing Bar Type	
<input type="checkbox"/> Octopus	<input type="checkbox"/> Dimple
<input type="checkbox"/> Other _____	

Square Panel



Nosing Bar Type	
<input type="checkbox"/> Octopus	<input type="checkbox"/> Dimple
<input type="checkbox"/> Other _____	

No. Required	_____
Load Bearing Bar (eg 25 x 3 mm)	_____mm
Bearing Bar / Cross Bar Arrangement (eg 41 / 178 mm)	_____mm
Length (Dim A)	_____mm
Width (Dim A)	_____mm

Open Tread / Diamond Tread End Plate Holes (Dim C)	
<input type="checkbox"/> 100 mm	<input type="checkbox"/> 112 mm
<input type="checkbox"/> 125 mm	

Ladder Tread Only End Plate Holes (Dim C)	
<input type="checkbox"/> 50 mm	<input type="checkbox"/> 75 mm

Finish	
<input type="checkbox"/> Self Colour	<input type="checkbox"/> Galvanised
<input type="checkbox"/> Zinc Phosphate Primer	<input type="checkbox"/> Stainless Steel

Comments

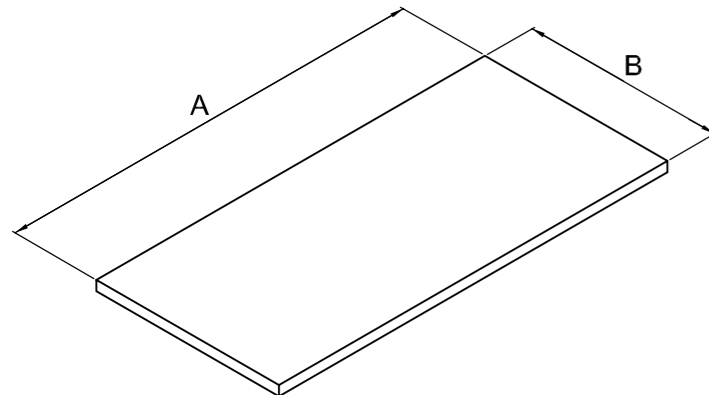
If you don't see what you require please call 01924 470 377 or email info@asgfabrications.com

Fabricated Steel Plate



Please tick appropriate boxes and fill in relevant dimensional information

Rectangular / Square Panels



Plain Plate Thickness	_____mm	
D / Plate Thickness (On Plain)	_____mm	
Finish		
<input type="checkbox"/> Self Colour	<input type="checkbox"/> Galvanised	
<input type="checkbox"/> Zinc Phosphate Primer	<input type="checkbox"/> Stainless Steel	
No. Required	Length (Dim A)	Width (Dim B)

Comments

Holes / Counter Sinking
Outline One Sketch Per Plate

Shearing & Folding

We also have facilities to shear up to 10mm @ 3000mm long
folding up to 10mm up to 1000mm
8mm up to 2400mm
6mm up to 3000mm

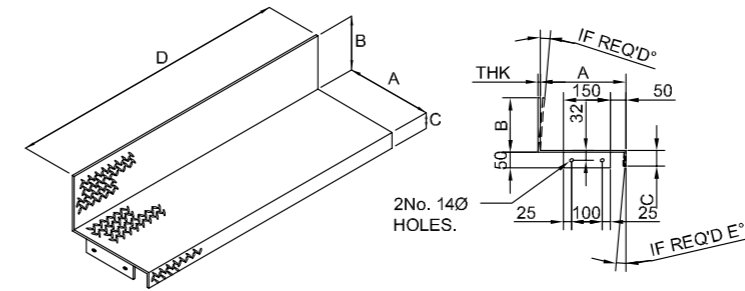
If you don't see what you require please call 01924 470 377 or email info@asgfabrications.com

Fabricated Steel Treads



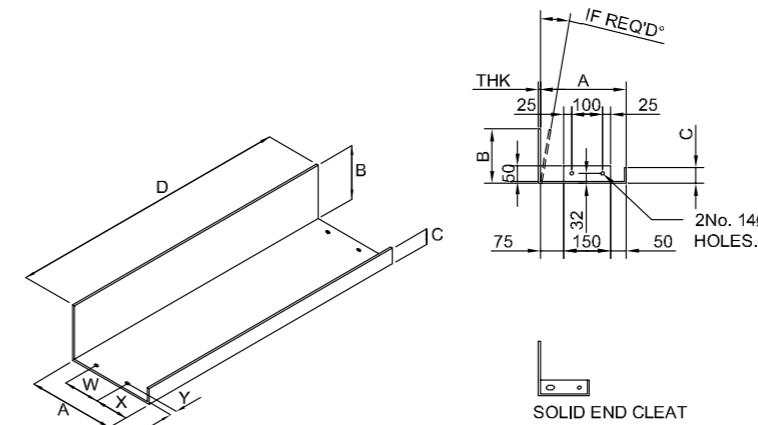
Please tick appropriate boxes and fill in relevant dimensional information

Stair Tread



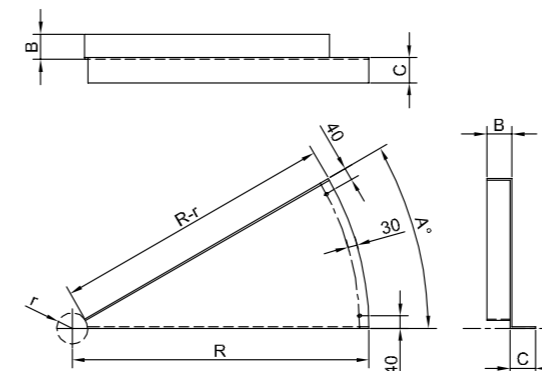
No. Required	_____
Plate Thickness	_____mm
D / Plate (On plain)	_____mm
Width (Dim A)	_____mm
Upstand (Dim B)	_____mm
Downstand (Dim C)	_____mm
Length (Dim D)	_____mm
Degree E (If not 90°)	_____°
Degree F (If not 90°)	_____°
Finish	
<input type="checkbox"/> Self Colour	<input type="checkbox"/> Galvanised
<input type="checkbox"/> Zinc Phosphate Primer	<input type="checkbox"/> Stainless Steel

Pan Tread



No. Required	_____
Plate Thickness	_____mm
D / Plate (On plain)	_____mm
Width (Dim A)	_____mm
Upstand (Dim B)	_____mm
Downstand (Dim C)	_____mm
Length (Dim D)	_____mm
Degree E (If not 90°)	_____°
Degree F (If not 90°)	_____°
Finish	
<input type="checkbox"/> Self Colour	<input type="checkbox"/> Galvanised
<input type="checkbox"/> Zinc Phosphate Primer	<input type="checkbox"/> Stainless Steel

Spiral Tread



No. Required	_____
Plate Thickness	_____mm
D / Plate (On plain)	_____mm
Width (Dim A)	_____mm
Upstand (Dim B)	_____mm
Downstand (Dim C)	_____mm
Length (Dim D)	_____mm
Degree E (If not 90°)	_____°
Degree F (If not 90°)	_____°
Finish	
<input type="checkbox"/> Self Colour	<input type="checkbox"/> Galvanised
<input type="checkbox"/> Zinc Phosphate Primer	<input type="checkbox"/> Stainless Steel

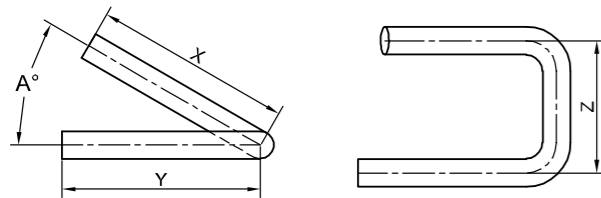
If you don't see what you require please call 01924 470 377 or email info@asgfabrications.com

Handrail Sections



Please tick appropriate boxes and fill in relevant dimensional information

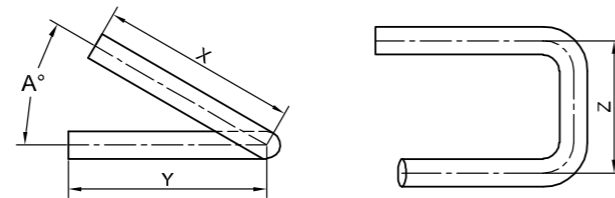
Simple Wreath Left hand going up



No. Required	_____
Raked At	_____°
Dim X	_____mm
Dim Y	_____mm
Dim Z	_____mm

Tube Size	Finish
<input type="checkbox"/> 25NB (33.7 O/D)	<input type="checkbox"/> Self Colour
<input type="checkbox"/> 32NB (42.4 O/D)	<input type="checkbox"/> Galvanised
<input type="checkbox"/> 40NB (48.3 O/D)	<input type="checkbox"/> Stainless Steel

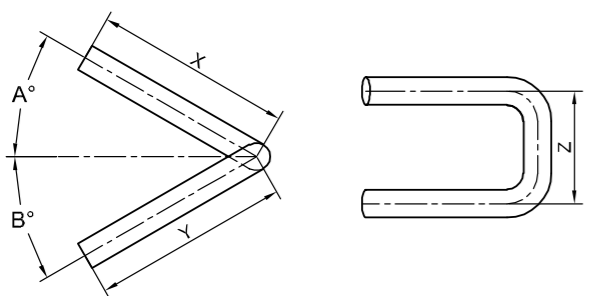
Simple Wreath Right hand going up



No. Required	_____
Raked At	_____°
Dim X	_____mm
Dim Y	_____mm
Dim Z	_____mm

Tube Size	Finish
<input type="checkbox"/> 25NB (33.7 O/D)	<input type="checkbox"/> Self Colour
<input type="checkbox"/> 32NB (42.4 O/D)	<input type="checkbox"/> Galvanised
<input type="checkbox"/> 40NB (48.3 O/D)	<input type="checkbox"/> Stainless Steel

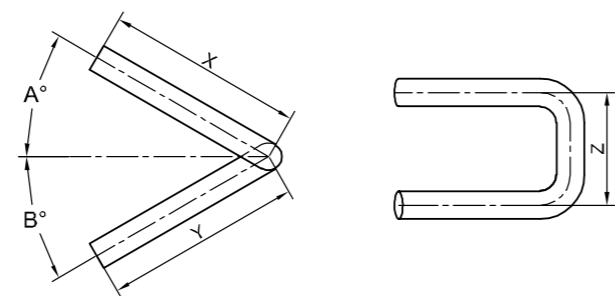
Dual Flight Left hand going up, Wreath return



No. Required	_____
Raked At	
A°	_____°
B°	_____°
Dim X	_____mm
Dim Y	_____mm
Dim Z	_____mm

Tube Size	Finish
<input type="checkbox"/> 25NB (33.7 O/D)	<input type="checkbox"/> Self Colour
<input type="checkbox"/> 32NB (42.4 O/D)	<input type="checkbox"/> Galvanised
<input type="checkbox"/> 40NB (48.3 O/D)	<input type="checkbox"/> Stainless Steel

Dual Flight Right hand going up, Wreath return



No. Required	_____
Raked At	
A°	_____°
B°	_____°
Dim X	_____mm
Dim Y	_____mm
Dim Z	_____mm

Tube Size	Finish
<input type="checkbox"/> 25NB (33.7 O/D)	<input type="checkbox"/> Self Colour
<input type="checkbox"/> 32NB (42.4 O/D)	<input type="checkbox"/> Galvanised
<input type="checkbox"/> 40NB (48.3 O/D)	<input type="checkbox"/> Stainless Steel

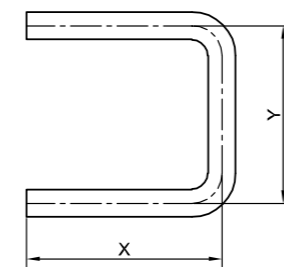
If you don't see what you require please call 01924 470 377 or email info@asgfabrications.com

Handrail Sections



Please tick appropriate boxes and fill in relevant dimensional information

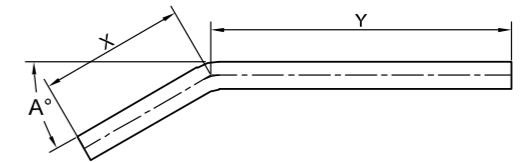
Return Bend



No. Required	_____
Dim X	_____mm
Dim Y	_____mm

Tube Size	Finish
<input type="checkbox"/> 25NB (33.7 O/D)	<input type="checkbox"/> Self Colour
<input type="checkbox"/> 32NB (42.4 O/D)	<input type="checkbox"/> Galvanised
<input type="checkbox"/> 40NB (48.3 O/D)	<input type="checkbox"/> Stainless Steel

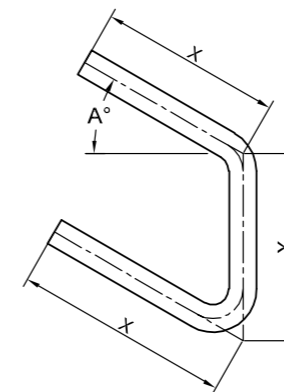
Ramp Bend



No. Required	_____
Raked At (A°)	_____°
Dim X	_____mm
Dim Y	_____mm

Tube Size	Finish
<input type="checkbox"/> 25NB (33.7 O/D)	<input type="checkbox"/> Self Colour
<input type="checkbox"/> 32NB (42.4 O/D)	<input type="checkbox"/> Galvanised
<input type="checkbox"/> 40NB (48.3 O/D)	<input type="checkbox"/> Stainless Steel

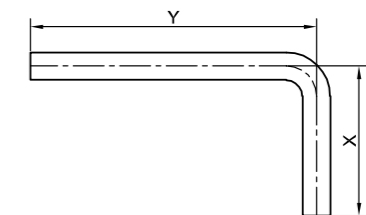
Stair Return Bend



No. Required	_____
Raked At (A°)	_____°
Dim X	_____mm
Dim Y	_____mm

Tube Size	Finish
<input type="checkbox"/> 25NB (33.7 O/D)	<input type="checkbox"/> Self Colour
<input type="checkbox"/> 32NB (42.4 O/D)	<input type="checkbox"/> Galvanised
<input type="checkbox"/> 40NB (48.3 O/D)	<input type="checkbox"/> Stainless Steel

Right Angle Bend 90°



No. Required	_____
Dim X	_____mm
Dim Y	_____mm

Tube Size	Finish
<input type="checkbox"/> 25NB (33.7 O/D)	<input type="checkbox"/> Self Colour
<input type="checkbox"/> 32NB (42.4 O/D)	<input type="checkbox"/> Galvanised
<input type="checkbox"/> 40NB (48.3 O/D)	<input type="checkbox"/> Stainless Steel

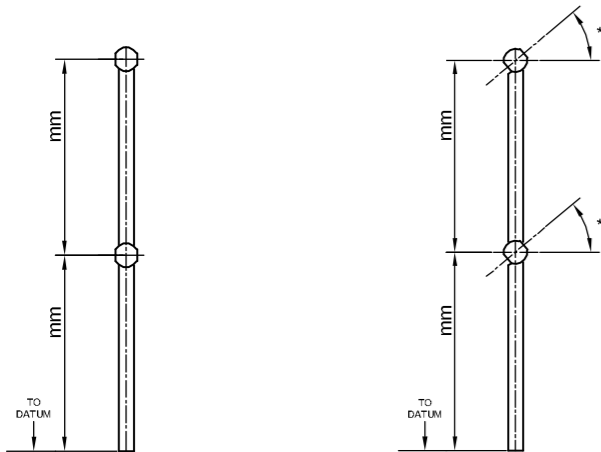
If you don't see what you require please call 01924 470 377 or email info@asgfabrications.com

Handrail Standards



Please tick appropriate boxes and fill in relevant dimensional information

Horizontal Standard Raked Standard



No. Required	_____
Shank Diameter	_____mm
Ball Diameter	_____mm
Drilled to Suit	_____mm
Diameter Handrail	_____mm

Finish	
<input type="checkbox"/> Self Colour	<input type="checkbox"/> Galvanised
<input type="checkbox"/> Zinc Phosphate Primer	<input type="checkbox"/> Stainless Steel

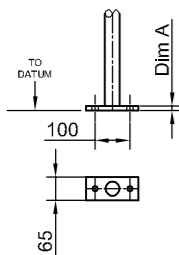
Base Thickness (Refer Dim A)	
<input type="checkbox"/> 12mm	<input type="checkbox"/> 15mm
<input type="checkbox"/> Other _____	

Pre-Vented	
<input type="checkbox"/> Yes	<input type="checkbox"/> No

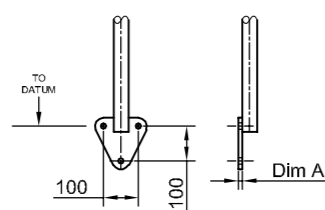
Raked At	_____°
No. Left Hand	(where applicable)
No. Right Hand	(where applicable)

No base required (Standard only)

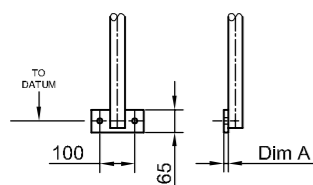
Rectangular Flat Base



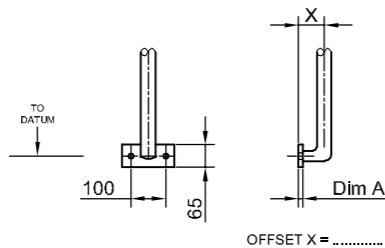
Triangular Side Palm



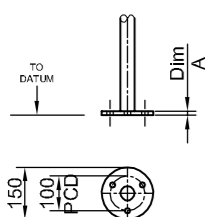
Horizontal Side Palm



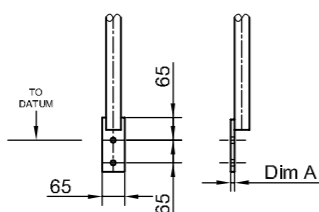
Offset Palm



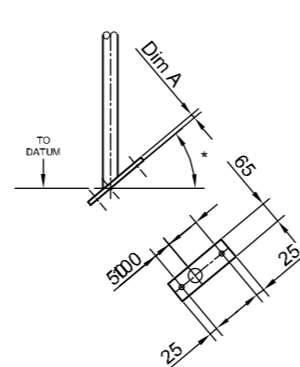
Circular Flat Base



Long Palm



Rectangular Raked Flat Base



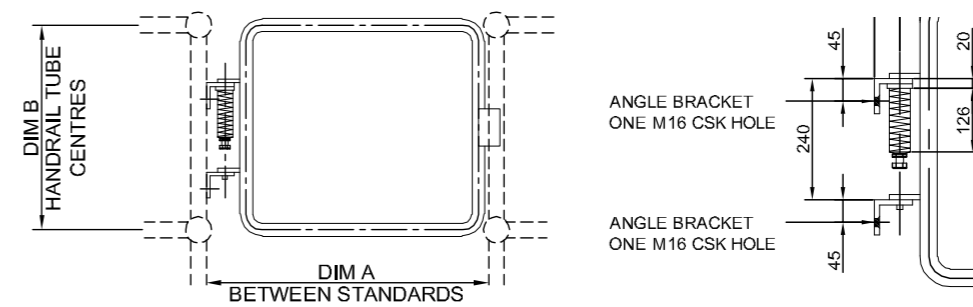
If you don't see what you require please call 01924 470 377 or email info@asgfabrications.com

Self Closing Safety Gates



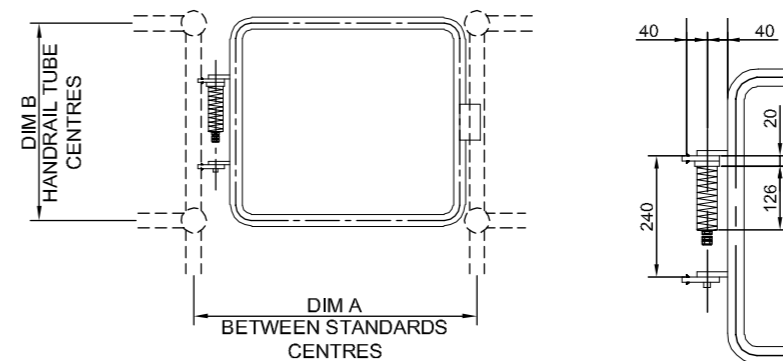
Please tick appropriate boxes and fill in relevant dimensional information

Half Gate with Fixings Bolted to handrail standards



Hinge details - All fittings to be fully welded to gate. Angle bracket can be bolted to handrail standard

Half Gate with Fixings Welded to handrail standards



Hinge details - All fittings to be fully welded to gate and handrail standard.

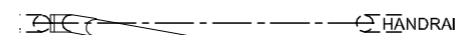
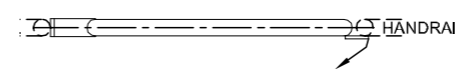
No. Required	_____
Dimension A (Handrail standard centres)	_____mm
Dimension B (Handrail tube centres)	_____mm
Tube Size	
<input type="checkbox"/> 25NB (33.7 O/D)	<input type="checkbox"/> Self Colour
<input type="checkbox"/> 32NB (42.4 O/D)	<input type="checkbox"/> Galvanised
<input type="checkbox"/> 40NB (48.3 O/D)	<input type="checkbox"/> Stainless Steel
<input type="checkbox"/> Other (Please specify)	

Stop Plate Location

Please select :

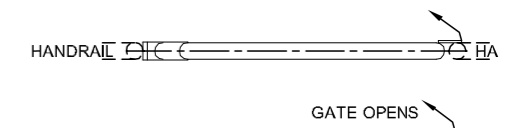
Stop plate near side

STOP PLATE NEAR SIDE



Stop plate far side

STOP PLATE FAR SIDE



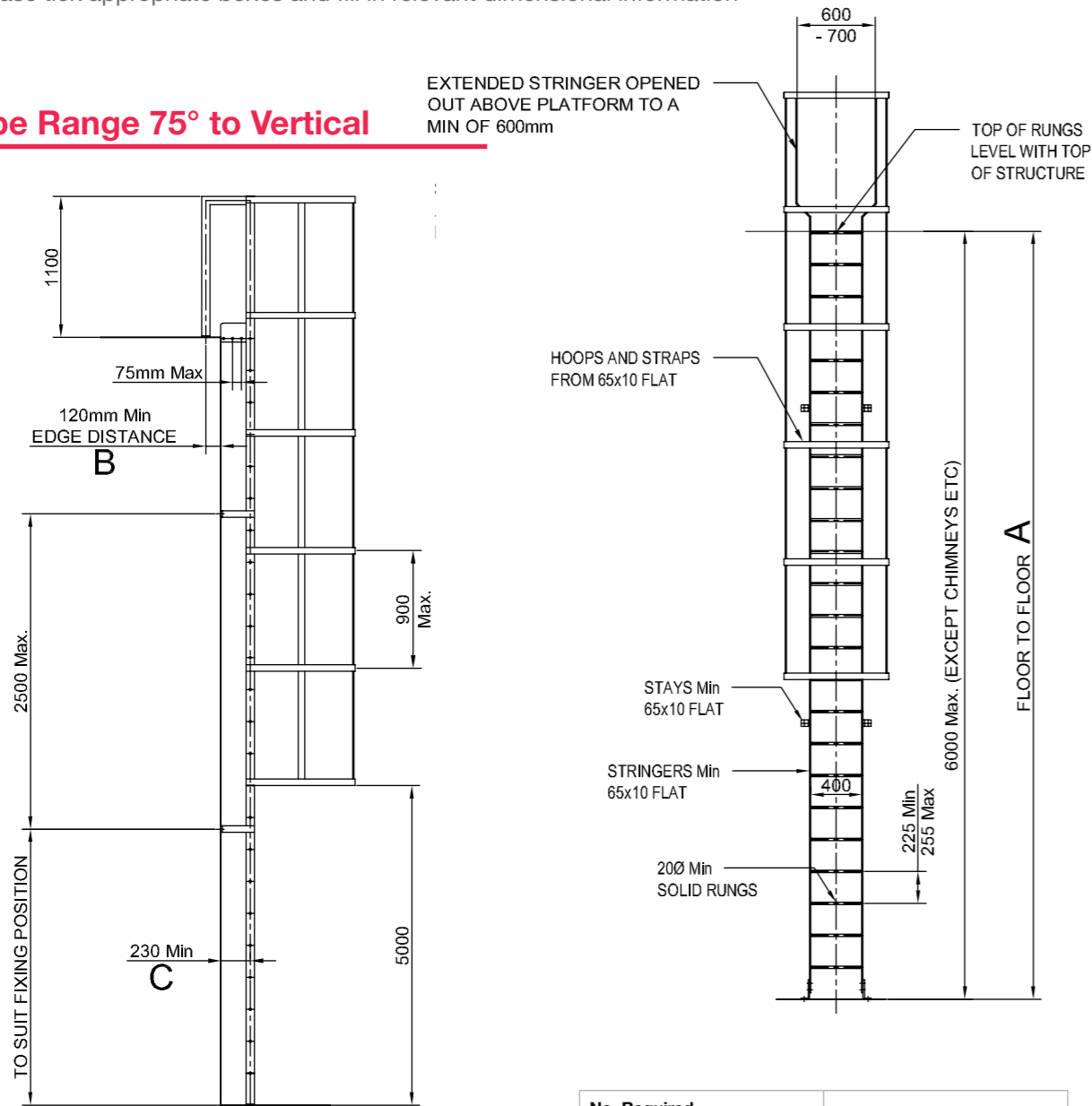
If you don't see what you require please call 01924 470 377 or email info@asgfabrications.com

Fixed Ladder



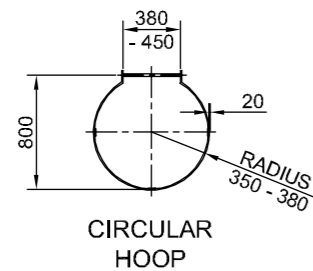
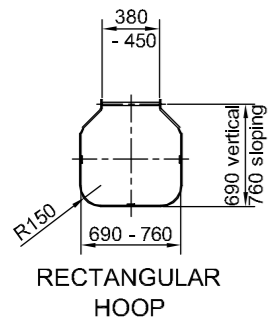
Please tick appropriate boxes and fill in relevant dimensional information

□ Slope Range 75° to Vertical



Typical Ladder Detail

Typical Roof Safety Cage Details

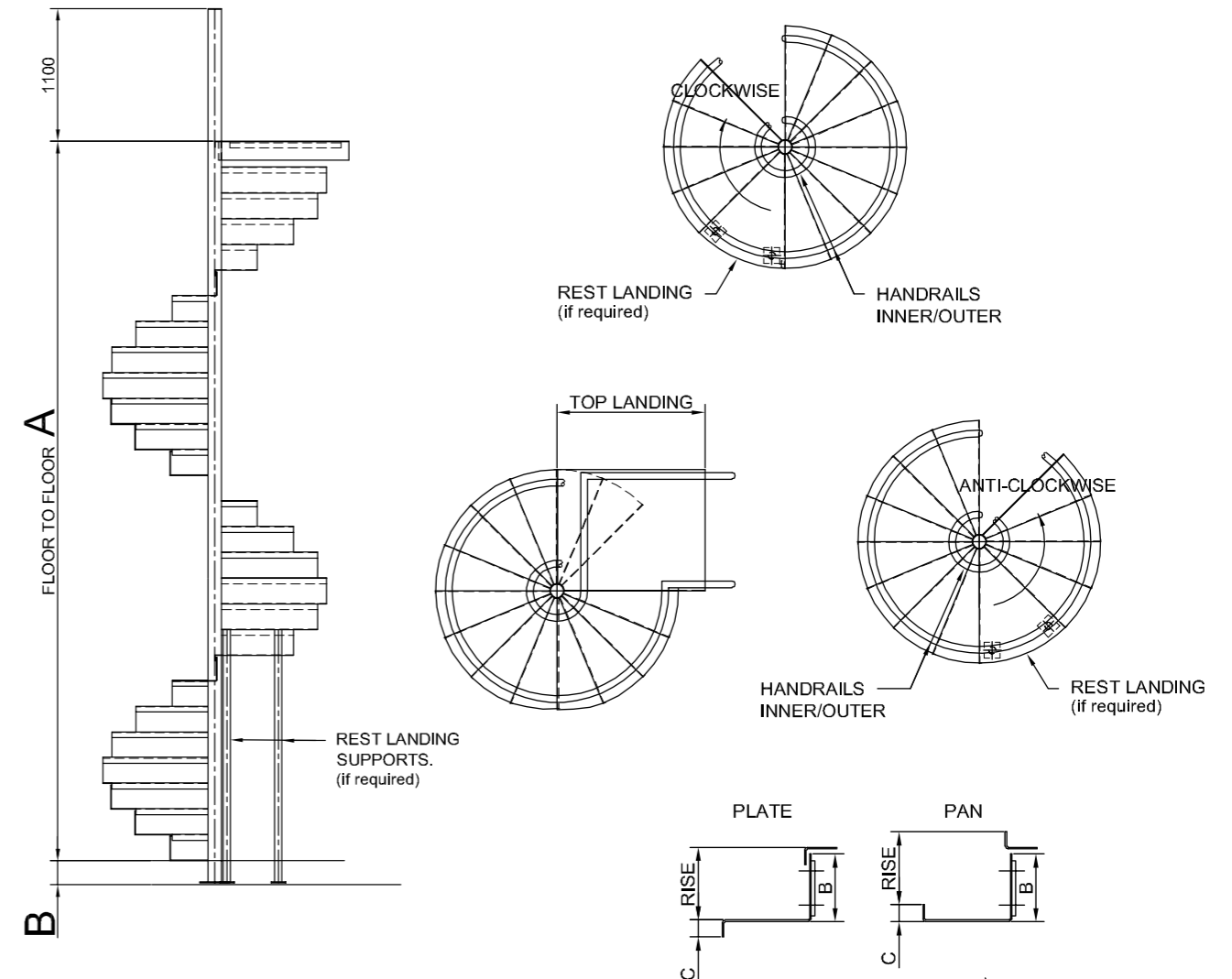


No. Required	_____
Height to Floor (Dim A)	_____ mm
Distance B (If not 120mm min.)	_____ mm
Distance C (If not 230mm min.)	_____ mm
FULLY WELDED IF NOT STATED OTHERWISE	
Safety Gate Required	
<input type="checkbox"/> Yes	<input type="checkbox"/> No
Tube Size	Hinged From
<input type="checkbox"/> 25NB (33.7 O/D)	<input type="checkbox"/> Left Hand (LH)
<input type="checkbox"/> 32NB (42.4 O/D)	<input type="checkbox"/> Right Hand (RH)
<input type="checkbox"/> 40NB (48.3 O/D)	

Spiral Stairs

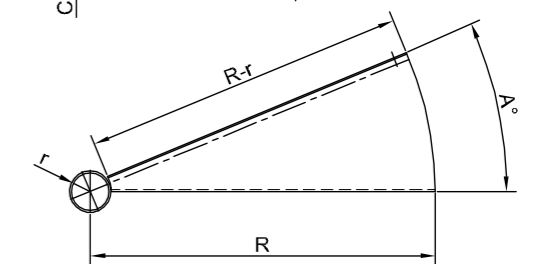


Please tick appropriate boxes and fill in relevant dimensional information



No. Required	_____
Height to Floor (Dim A)	_____ mm
Dimension B (If required)	_____ mm
Direction	
<input type="checkbox"/> Clockwise	<input type="checkbox"/> Anti Clockwise
Column Size	

Tread	
<input type="checkbox"/> Plate	<input type="checkbox"/> Pan
Handrail	
<input type="checkbox"/> Inner	<input type="checkbox"/> Outer
Finish	
<input type="checkbox"/> Self Colour	<input type="checkbox"/> Other (Please specify)
<input type="checkbox"/> Stainless Steel	_____
<input type="checkbox"/> Galvanised	_____



No. Required	_____
Plate Thickness	_____ mm
A°	_____ °
r (Radius Dim.)	_____ mm
R (Radius Dim.)	_____ mm
Upstand (Dim B)	_____ mm
Downstand (Dim C)	_____ mm
R - r	_____ mm
Hole Dia. (If required)	_____ mm

ASG Fabrications LTD
Unit 1A Greenhill Mills
Grange Road, Batley
West Yorkshire, WF17 6LH

T | 01924 470 377
F | 01924 470 322
E | enquiries@asgfabrications.com

www.asgfabrications.com